

WPLGRIDt

TOURING FLYING FRAME FOR WPL AND SXHF218



Features

- Three point rigging system with front and rear mounting positions
- Fly up to 24 WPL cabinets or 16 SXHF218 subwoofers
- Ground-stack up to six WPL cabinets (also requires ground-stack kit WPLOUTRIG)
- Fly or ground stack arrays of WPL combined with SXHF218. To check rigging limitations, use our DISPLAY software
- Mounting point for inclinometer sensor
- One or two point pick-up
- Available in black (WPLGRIDt) or white (WPLGRIDt-W)
- Optional flight case WPLGTFC (for two WPLGRIDt)

Applications

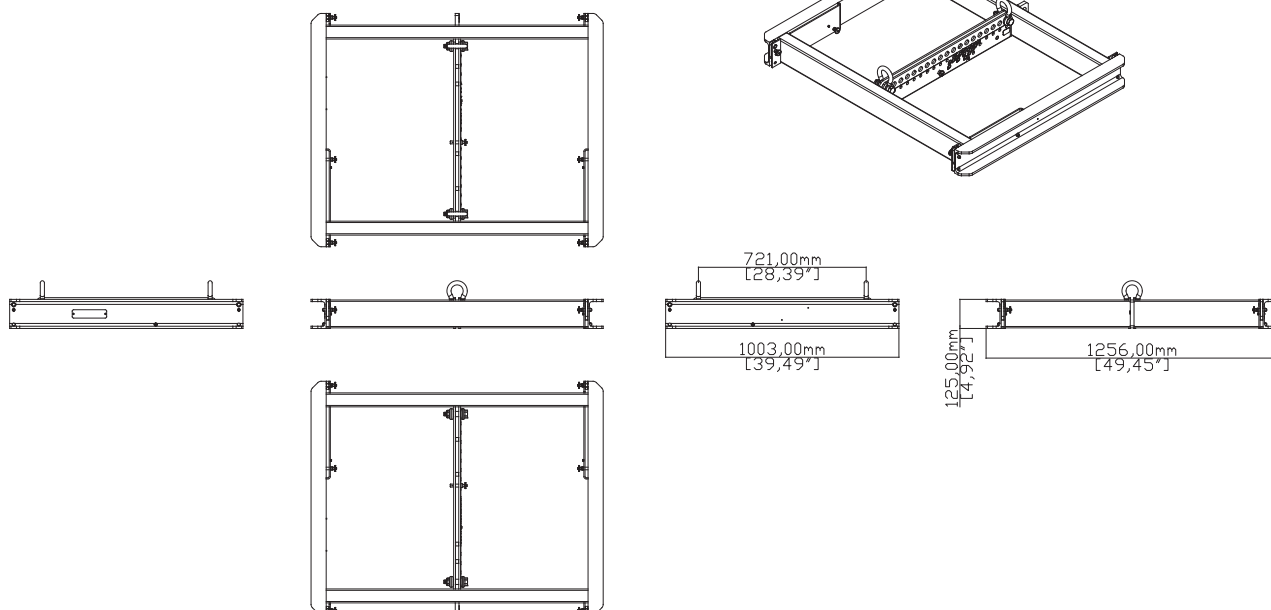
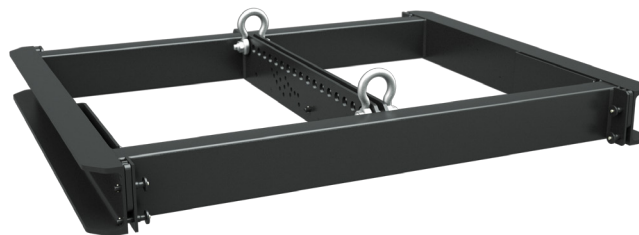
- Touring
- Flown or ground-stacked WPL and SXHF218 arrays

Contents

- 1 x flying frame
- 2 x shackles, working load limit 4.75 tonne (5.24 US ton)
- 8 x quick release flying pins (2 of one type and 6 of another)

Technical Specifications

WEIGHT	74kg (163lbs)
MATERIAL	Weatherised polyester powder coated mild steel



Martin Audio Ltd
 Century Point, Halifax Road, High Wycombe
 Buckinghamshire HP12 3SL, England

Telephone: +44 (0) 1494 535 312
 Email: info@martin-audio.com

All information is Copyright © 2025 Martin Audio Ltd.



www.martin-audio.com